



TL8



TL10



TL12



TL12V2

Product Features & Specifications

ENGINE

- EPA Interim Tier 4 Compliant
- Turbocharged and Intercooled
- DOC+DPF Exhaust After Treatment
- Automatic Fuel Bleed System
- Active Power Control Power Management System
- Dual Element Air Filter with Pre-Cleaner

ELECTRICAL

- Multi-Informational Display
- Sealed Rocker Switches
- 12 volt System with 80 amp Alternator
- Halogen Work Lights: Two Front and Two Rear Facing
- Engine Preheat
- Hour Meter
- Back-up Alarm

TAKEUCHI FLEET MANAGEMENT

- 2 Year Standard Service
- Minimize Downtime
- Remote Diagnostics
- Utilization Tracking
- Proactive Maintenance
- Control Costs

UNDERCARRIAGE AND FRAME

- Permanently Sealed Track Rollers with Metal Face Seals
- Fully Welded One Piece Track Frame
- Two-Speed Travel
- 17.7" Rubber Track
- Grease Type Track Adjuster

OPERATOR'S STATION

- Tilt-up Operator's Station
- Deluxe High Back Suspension Seat
- Rear Pivoting Seat Bar with Arm Rest
- ROPS / FOPS Structure
- Retractable 2" Seat Belt
- Pressurized Cab with Roll-up Door, A/C, Heat, Defrost and Front Wiper (optional)
- AM / FM / MP3 Radio with NOAA Weatherband (optional)
- 3 Point Retractable Seat Belt (optional)
- Retractable 3" Seat Belt (optional)
- Polycarbonate Door and Top Guard (High Flow Only)

HYDRAULIC & WORKING EQUIPMENT

- Pilot Proportional Hydraulic Controls
- Boom Float with Detent
- Cushioned Boom Cylinders
- Hydraulic Self Leveling
- Pressure Relieving Flat Faced Coupler Body
- 14-Pin Connector
- Mechanical Quick Coupler
- Hydraulic Quick Coupler
Cab - Standard Equipment
Canopy - optional
- High Flow Auxiliary Hydraulics 40 gpm (optional)
- Secondary Auxiliary Circuit 17 gpm (optional)
- Ride Control (optional)
- Pattern Change Valve (optional)



Convenient Service and Maintenance Access



Integrated Undercarriage

TOUGH, RUGGED, EFFICIENT



Fully Welded Frame



Steel on Steel



Active Power Control



HD Cooling Module

The TL12 features a powerful 109.9 HP engine and double reduction planetary drives enabling it to work in extreme applications. The radial lift design allows it to excel at excavation and grading while providing excellent mid height reach. A welded track frame with multiple cross members ensures rigidity and strength. The cabin is spacious and features a deluxe high back suspension seat for comfort and visibility while on the job site. The available cab option has an overhead door that can be opened or closed while operating the TL12. The multi-information display allows the operator to monitor machine functions,

while controlling travel and loader operations with the pilot controlled joysticks. The heavy duty rear door protects vital engine and hydraulic components and it has a locking mechanism that will keep it open while performing daily inspections. The heavy duty cooling module features a side-by-side radiator and oil cooler that allow the TL12 to operate efficiently, and provides easy access to maintenance points. The primary and secondary fuel filters, and engine oil filter can be accessed with the cabin tilted up for easy inspection and service.



Spacious operator's platform with easy to reach controls and switches.

OPERATING PERFORMANCE

Operating Weight - Canopy	11,620 lb	(5,270 kg)
Cab	11,850 lb	(5,375 kg)
Tipping Load	8,102 lb	(3,675 kg)
Rated Operating Capacity, SAE J818*	2,833 lb	(1,285 kg)
w/ Optional Counter Weight	3,263 lb	(1,480 kg)
Operating Load at 50% of Tipping Load	4,051 lb	(1,838 kg)
Bucket Breakout Force	8,660 lb	(3,932 kg)
Lift Arm Breakout Force	8,550 lb	(3,928 kg)
Traction Force	13,760 lb	(6,241 kg)
Ground Pressure - Canopy	4.6 psi	(32.0 kPa)
Ground Pressure - Cab	4.7 psi	(32.7 kPa)
Travel speed - Low	4.9 mph	(7.9 km/hr)
High	7.4 mph	(11.9 km/hr)

* Operating capacity of compact track loaders is rated according to SAE J818 at no more than 35% of the tipping load

HYDRAULIC SYSTEM

Auxiliary Flow - Primary Circuit	23.0 gpm	(88.0 Lpm)
Auxiliary Flow - High Flow (optional)	40.0 gpm	(153.0 Lpm)
Auxiliary Flow - Secondary Circuit	17.0 gpm	(64.5 Lpm)
Hydraulic System Pressure	3,046 psi	(21.0 MPa)

ENGINE

Make / Model	Kubota / V3800CR-Turbo Intercooled	
Engine Displacement	230 cu in	(3.8 L)
Horsepower @ 2,400 rpm	109.9 hp	(82.0 kW)
Maximum Torque @ 1,500 rpm	277 ft-lb	(375 Nm)

FLUID CAPACITIES

Engine Lubrication	13.9 qt	(13.2 L)
Cooling System	17.4 qt	(16.5 L)
Fuel Tank Capacity	28.5 gal	(108.0 L)
Fuel Consumption (65% of Full Load)	3.7 gal/hr	(14.0 L/hr)
Hydraulic Reservoir Capacity	15.9 gal	(60.0 L)
Hydraulic System Capacity	25.1 gal	(95.0 L)



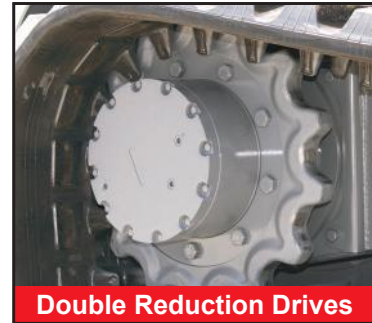
LCD Display



Pilot Controls



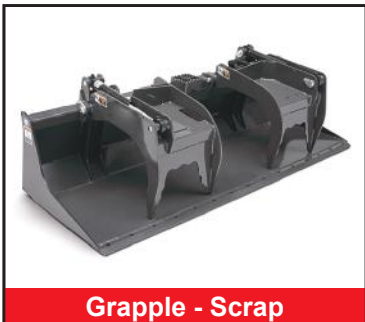
Roll Up Door



Double Reduction Drives

ATTACHMENTS

Takeuchi now offers attachments for all of your Takeuchi equipment. See your authorized Takeuchi dealer for additional information and attachment options.



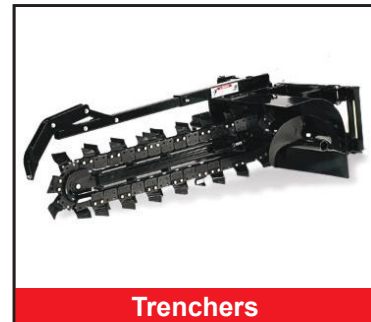
Grapple - Scrap



Dozer Blades

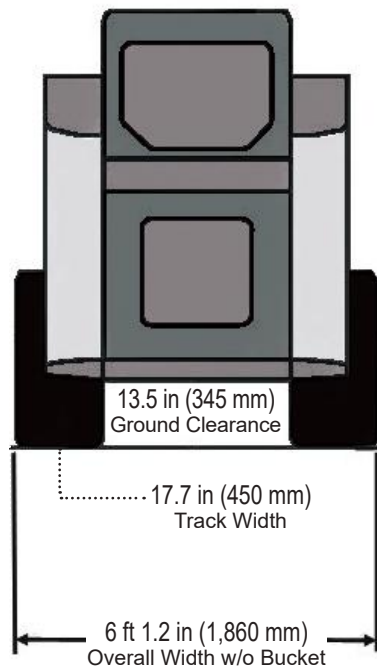
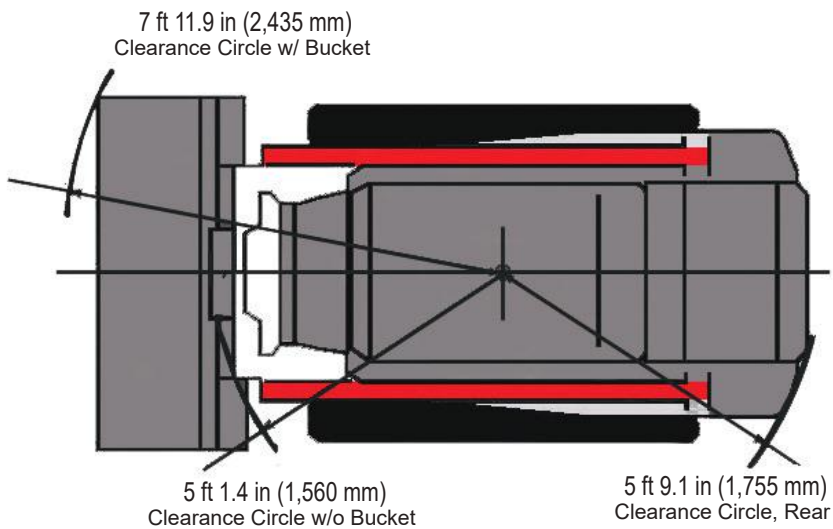
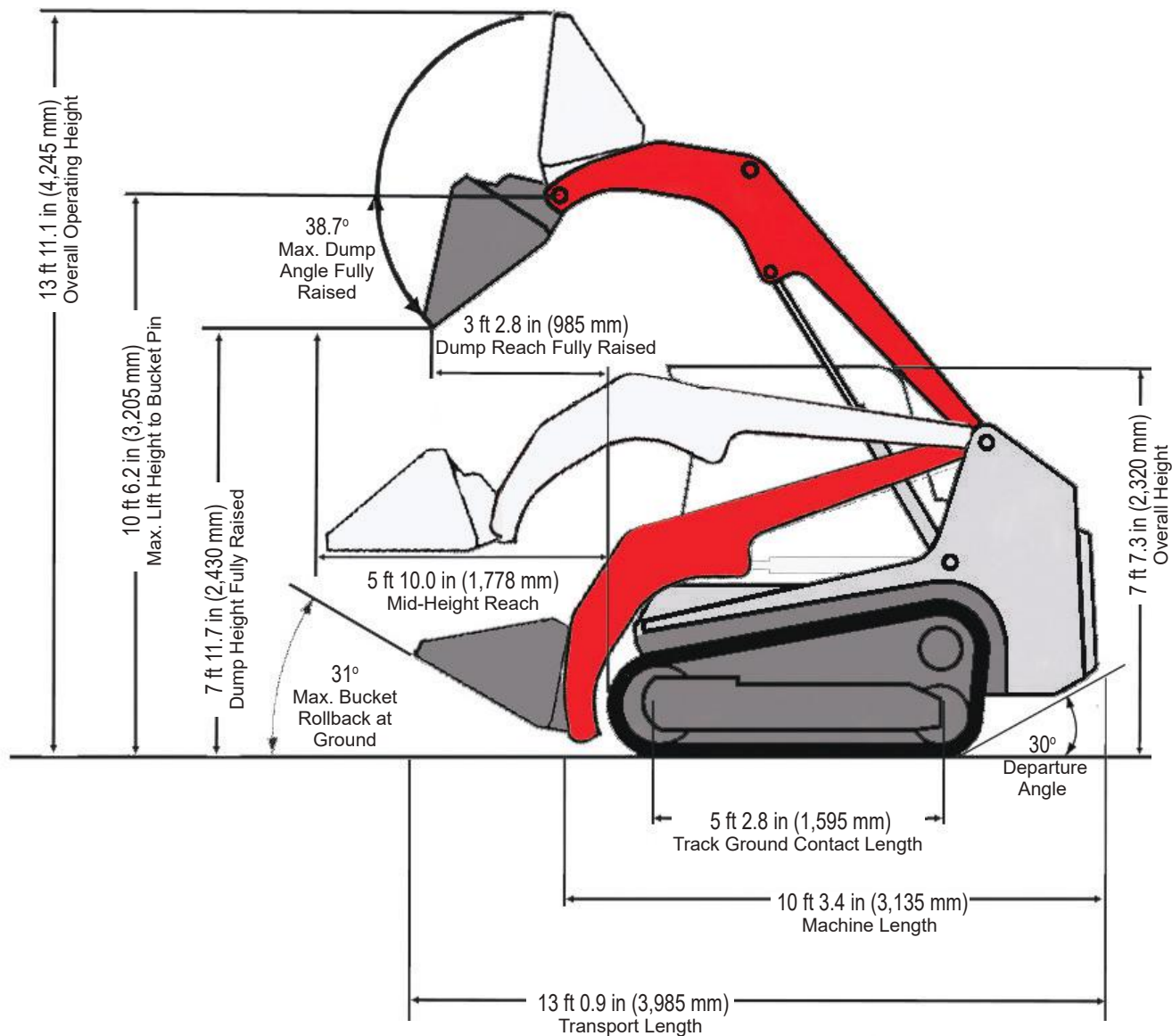


Pallet Forks



Trenchers

TL12 Compact Track Loader





2 YEAR
2,000 HOUR
FULL MACHINE
WARRANTY



© 2016 Takeuchi Manufacturing (U.S.), Ltd. All Rights Reserved. Printed in the U.S.A.
In accordance with our established policy of continued improvement, specifications and features are subject to change without notice. Pictures may show options other than standard equipment.
FORM: TL12 Compact Track Loader Spec Sheet July 2016 - (TFM) s/n 201202579 ~

TAKEUCHI
Those in the know, know Takeuchi